

**SMLIFE.vn**

Solutions designed for modern life

**CSPS**

# USE & CARE GUIDE

---

## **Bàn Thao Tác Workbench Nâng Thủ Công CSPS**

---

Questions, problems, missing parts?  
Before returning to the Store, call  
SMLIFE CUSTOMER SERVICE  
8 a.m - 6 p.m, Monday - Saturday  
Hotline: (028) 66 500 501



---

## **THANK YOU**

We appreciate the trust and confidence you have placed in SMLIFE through purchase of this chest/ cabinet. We continually create quality products designed to enhance your garage, factory. Visit us online to see full line of product available for your garage improvement needs. Thanks for choosing SMLIFE.

# Pre-Assembly

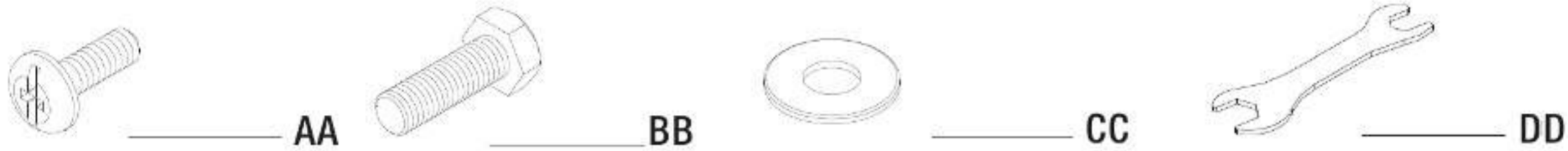
## TOOLS REQUIRED



## HARDWARE INCLUDED



**NOTE:** Hardware not shown to actual size.



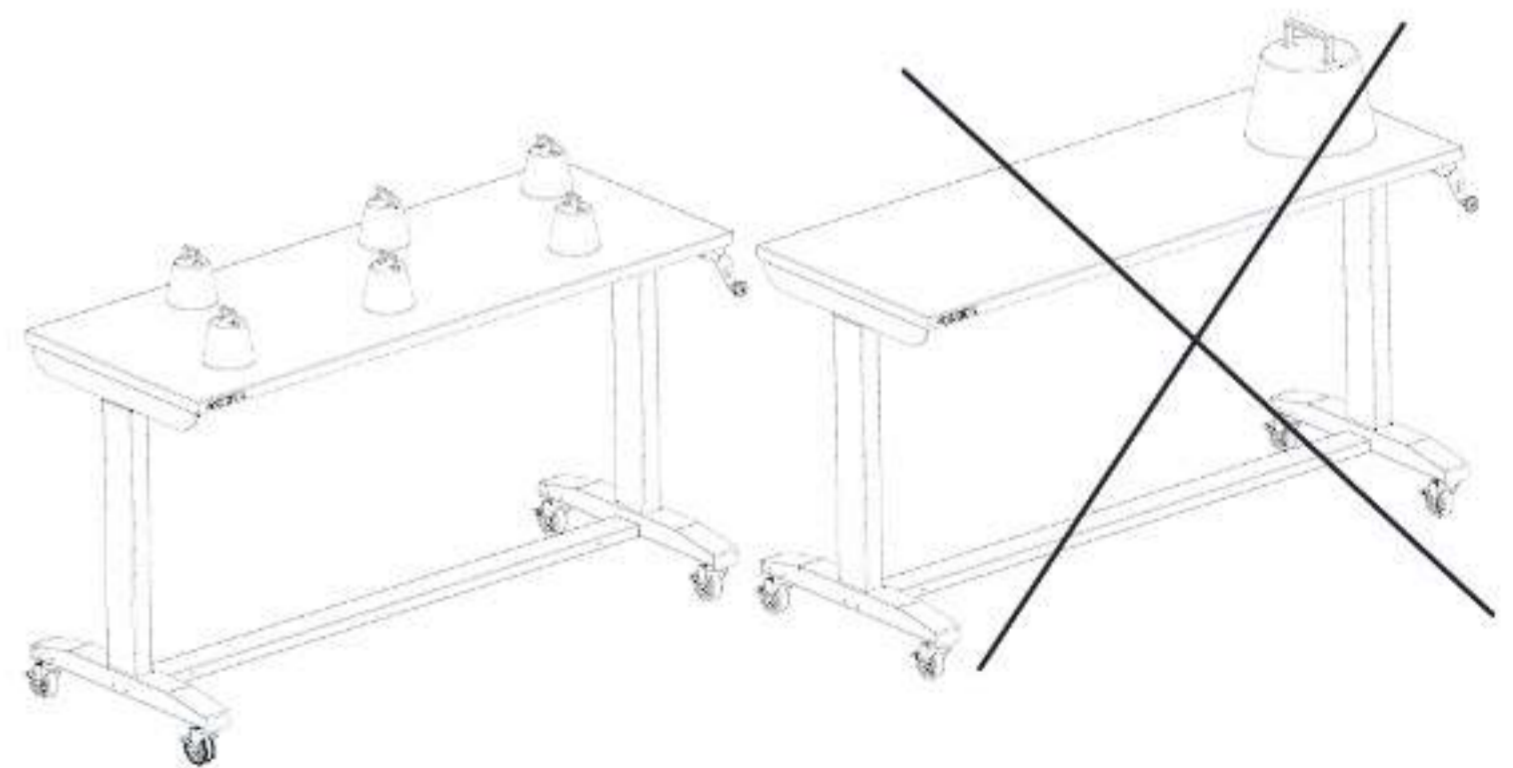
Part	Description	Quantity
AA	Screw M6 x 15L	26
BB	Bolt M8 x 15L	4
CC	Washer M8	4
DD	5/8 in. Wrench	1

## SPECIFICATIONS

Maximum capacity **300 lbs**

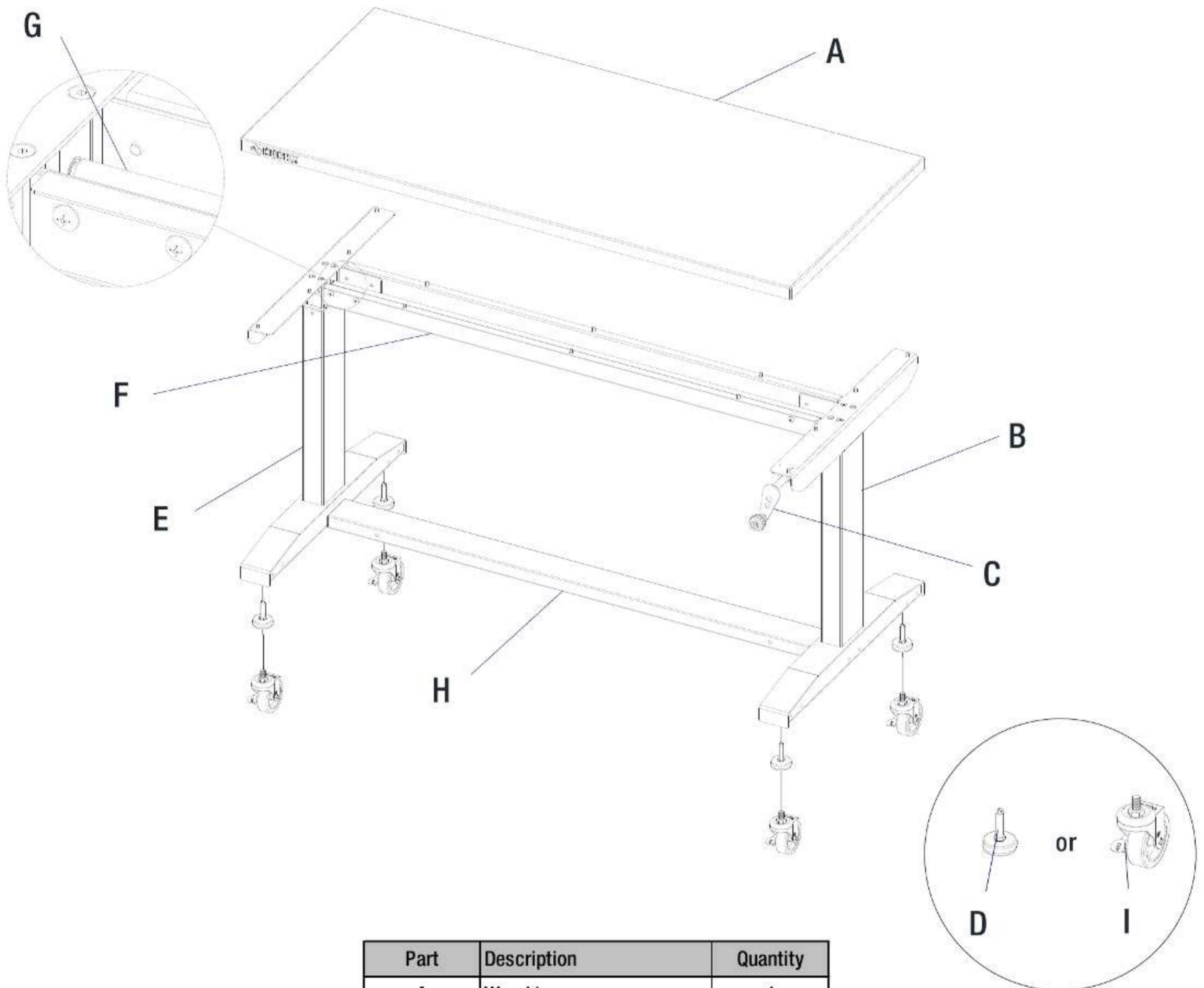


**NOTE:** Begin product assembly close to the final intended location of your workbench. This product is heavy and may be difficult to move after assembly.



# Pre-Assembly (continued)


## PACKAGE CONTENTS

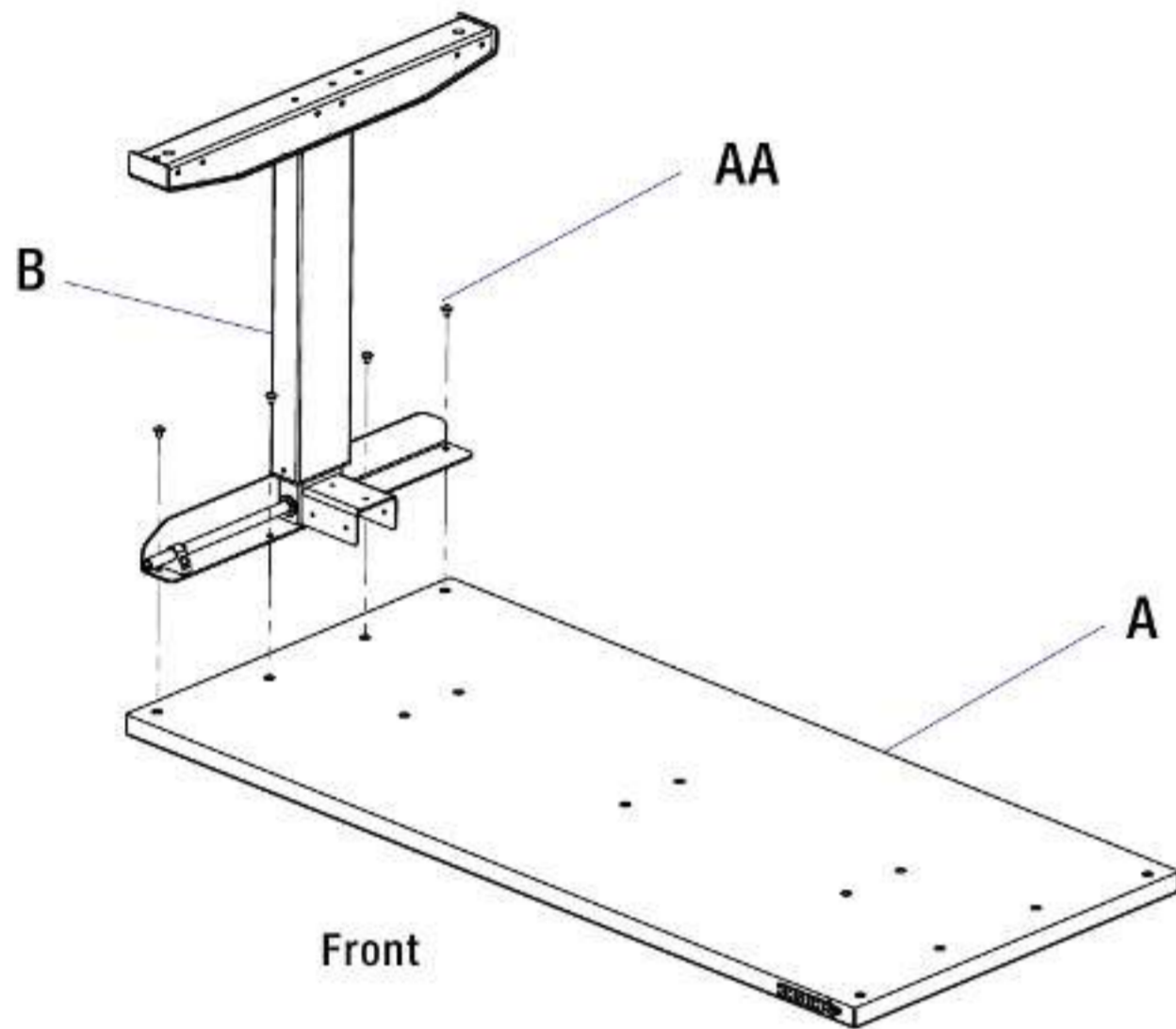


Part	Description	Quantity
A	Wood top	1
B	Leg (Right)	1
C	Crank handle	1
D	Leveling feet	4
E	Leg (Left)	1
F	Top rail	1
G	Rotating rod	1
H	Support rail	1
I	Caster	4

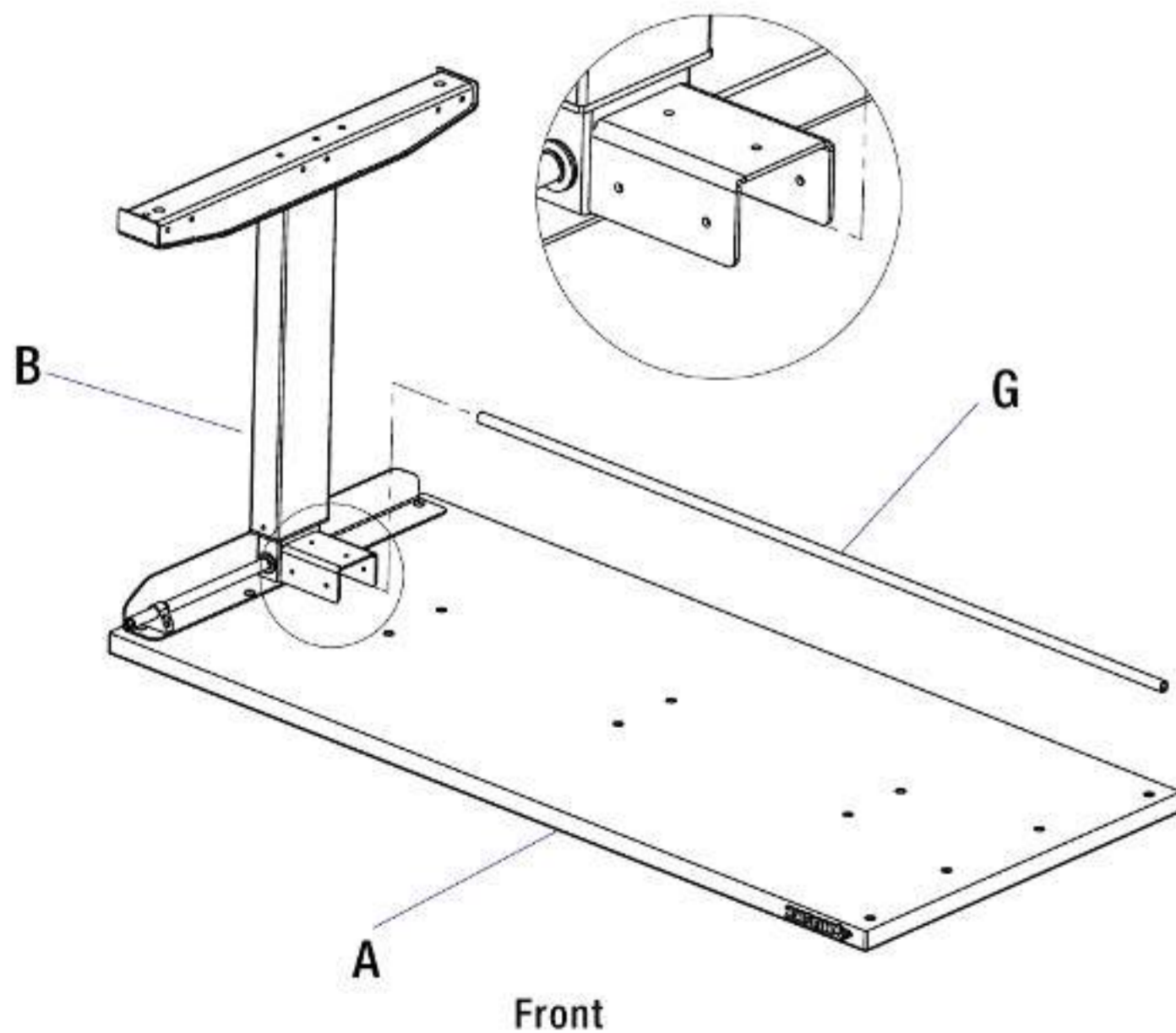
# Assembly

1. While unpacking the unit, you can leave the workbench wood top (A) inside the original packaging to prevent the top from being scratched during assembly.
2. Determine the front and back of the top before starting. The front of the wood top (A) has the Husky badge on the edge.
3. Attach the right leg (B) to the wood top (A) as shown using four M6x15L screws (AA). Be sure that the rotating mechanism faces the inside of the work table.

 Note: Do not overtighten the screws into the wood top to avoid damaging the wood top.

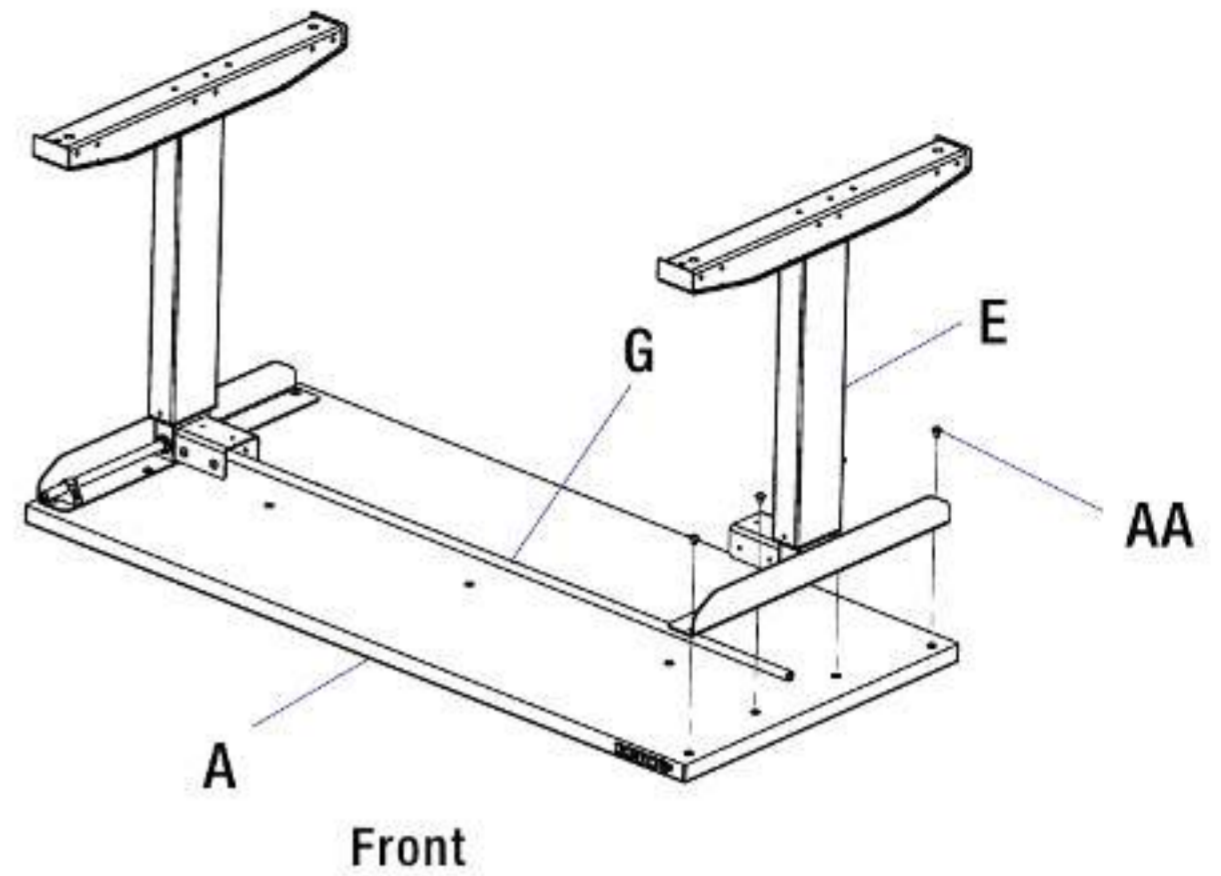


4. Attach the rotating rod (G) to the rotating mechanism in the leg (B).

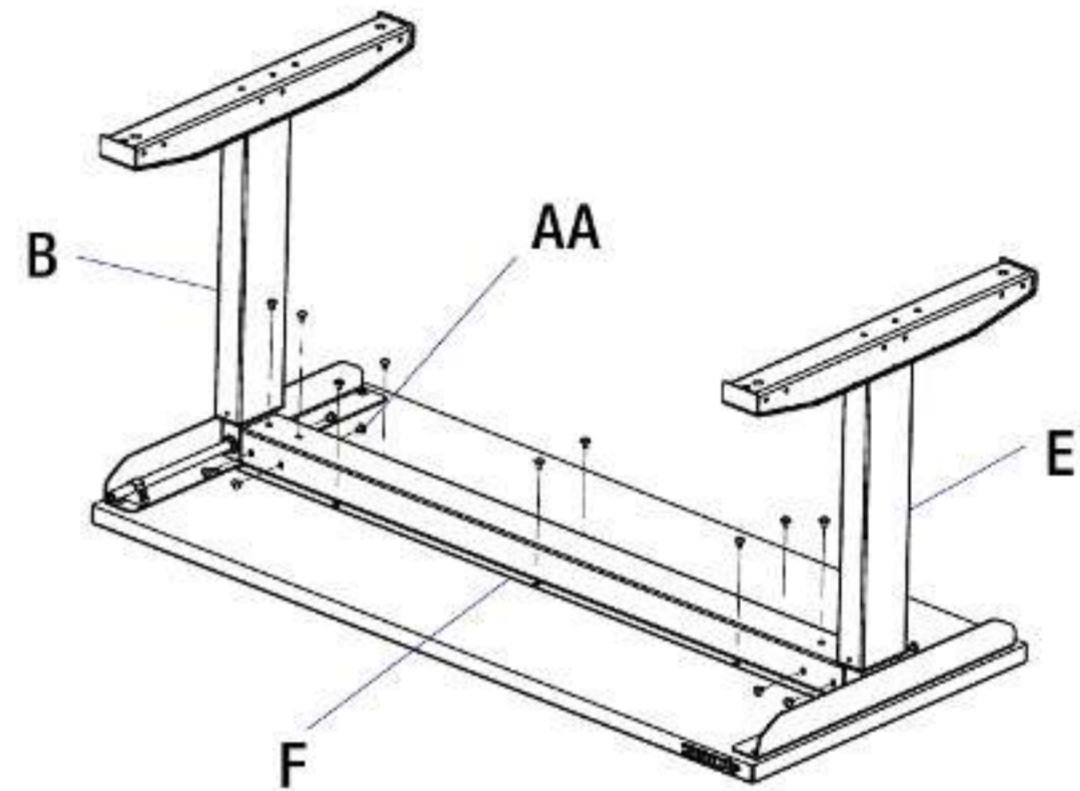


 Note: Do not turn the rotating rod yet to ensure that the leg remains at its lowest level.

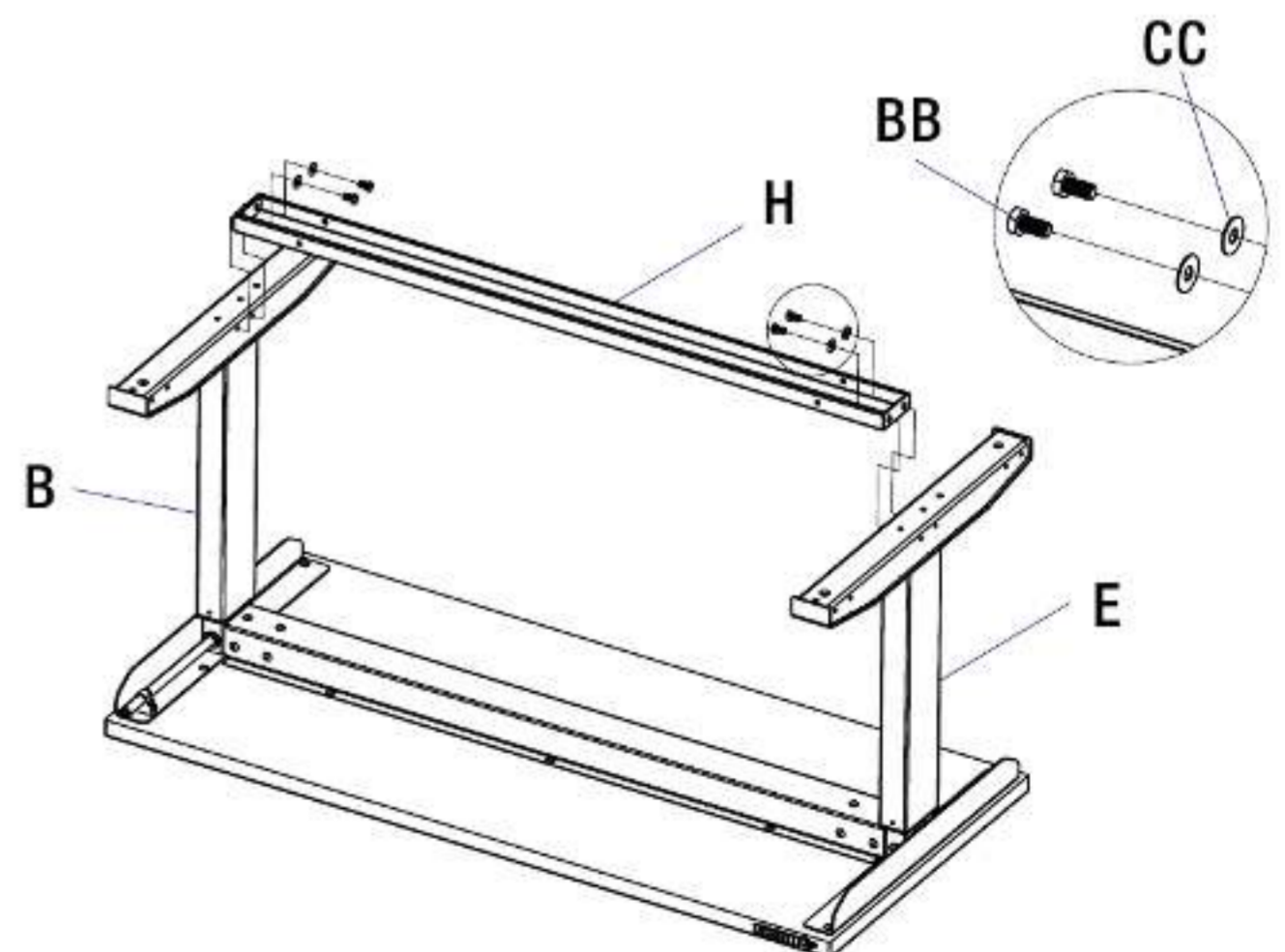
5. Attach the left leg (E) to the wood top (A) using four M6x15L screws (AA). Finger tighten only. Be sure that the rotating rod (G) clicks into the leg (E).



6. Attach the top rail (F) to the wood top (A), leg (B), and leg (E) using eighteen M6x15L screws (AA). Do not overtighten the screws.

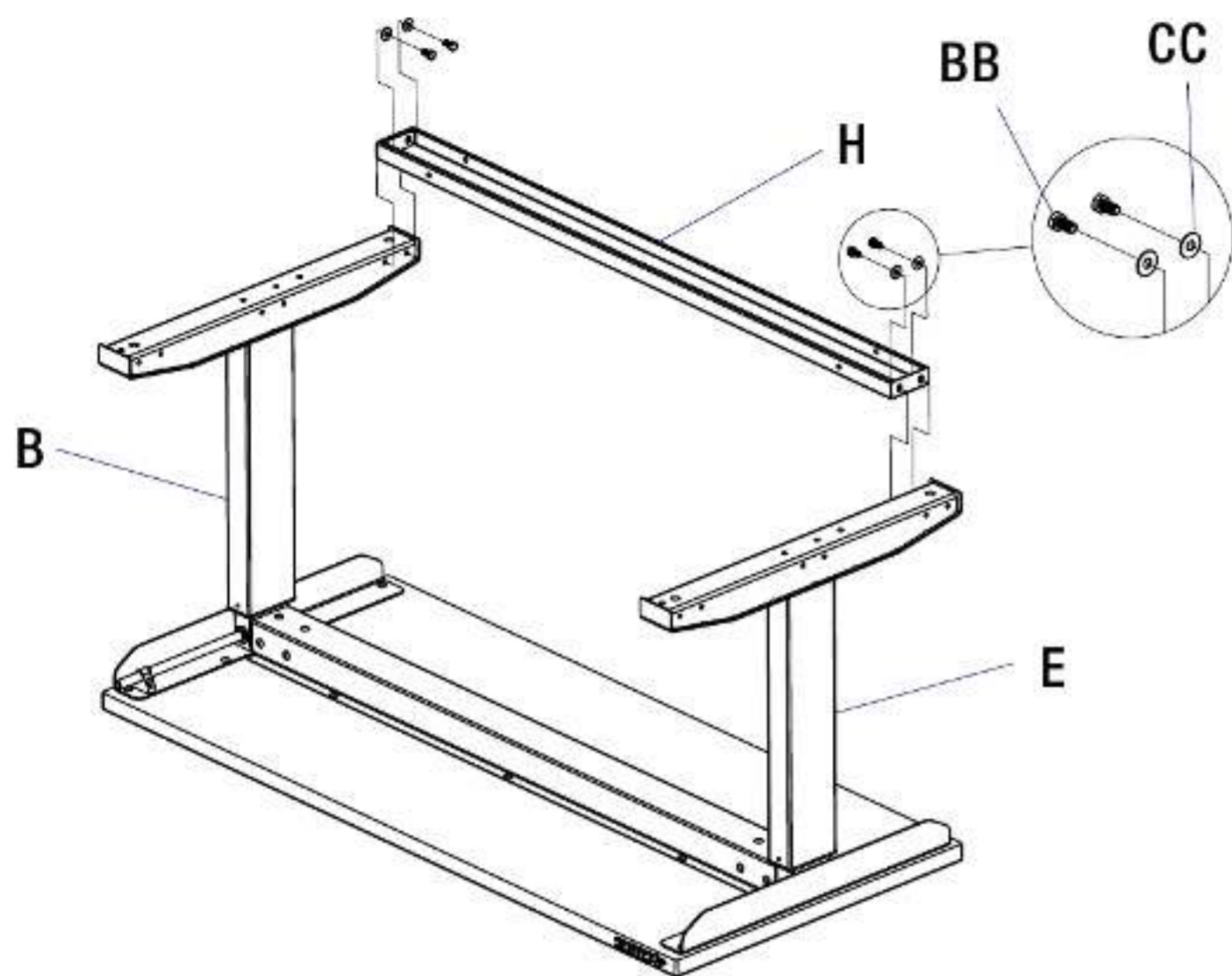


- 7a. Option 1: Attach the support rail (H) to the bottom of the leg (B) and leg (E) using four M8x15L bolts (BB) and four M8 washers (CC). Finger tighten only. The support rail can attach in the middle or rear of the legs. Attach it at your desired position. See step 7b for Option 2.




# Assembly (continued)

7b. Option 2: Attach the support rail (H) to the bottom of the leg (B) and leg (E) using four M8x15L bolts (BB) and four M8 washers (CC). Finger tighten only.



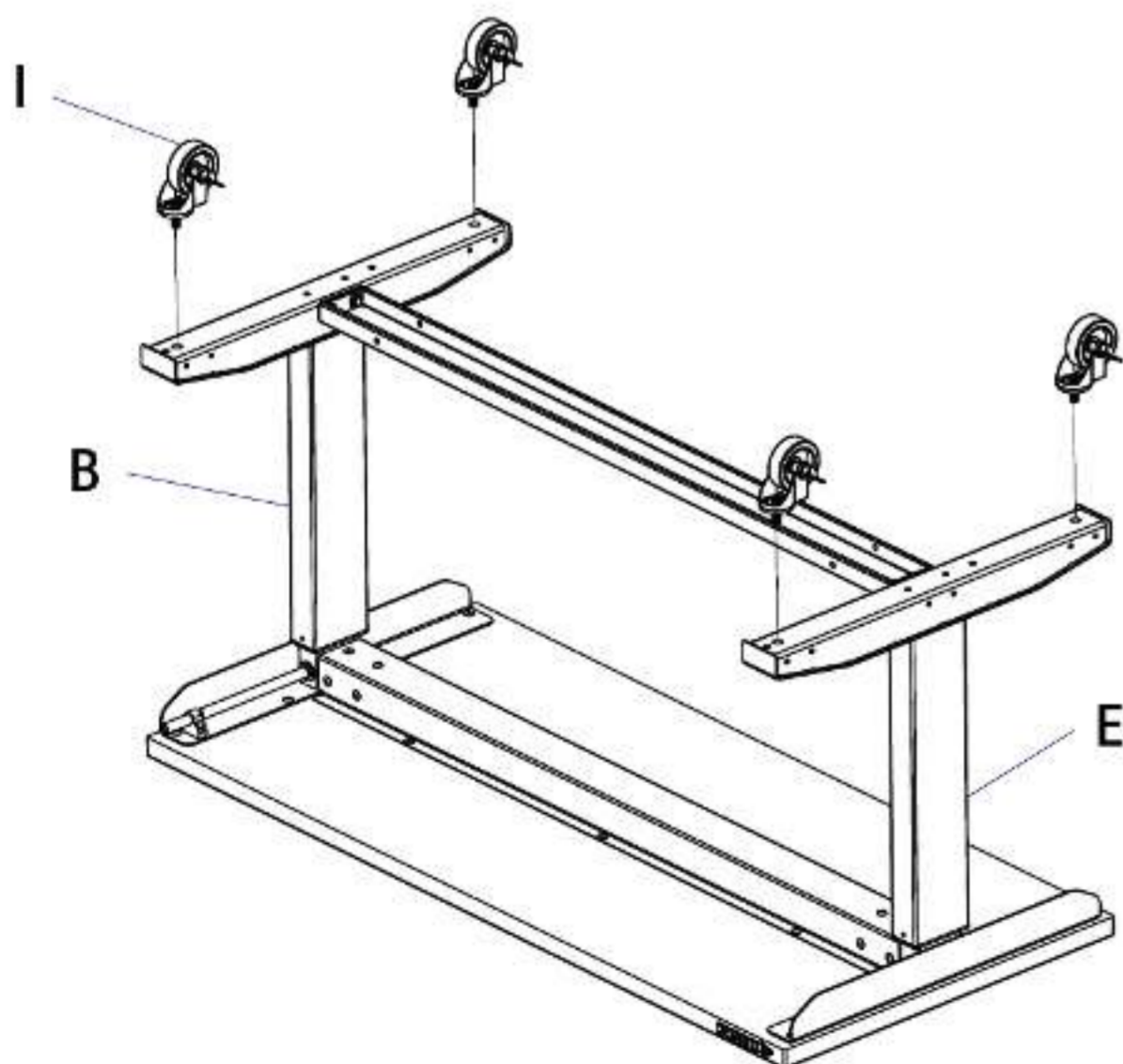
8. Square the workbench and then securely tighten all fasteners with a 10 mm and 13 mm wrench.

 **Note:** Use caution to not overtighten.

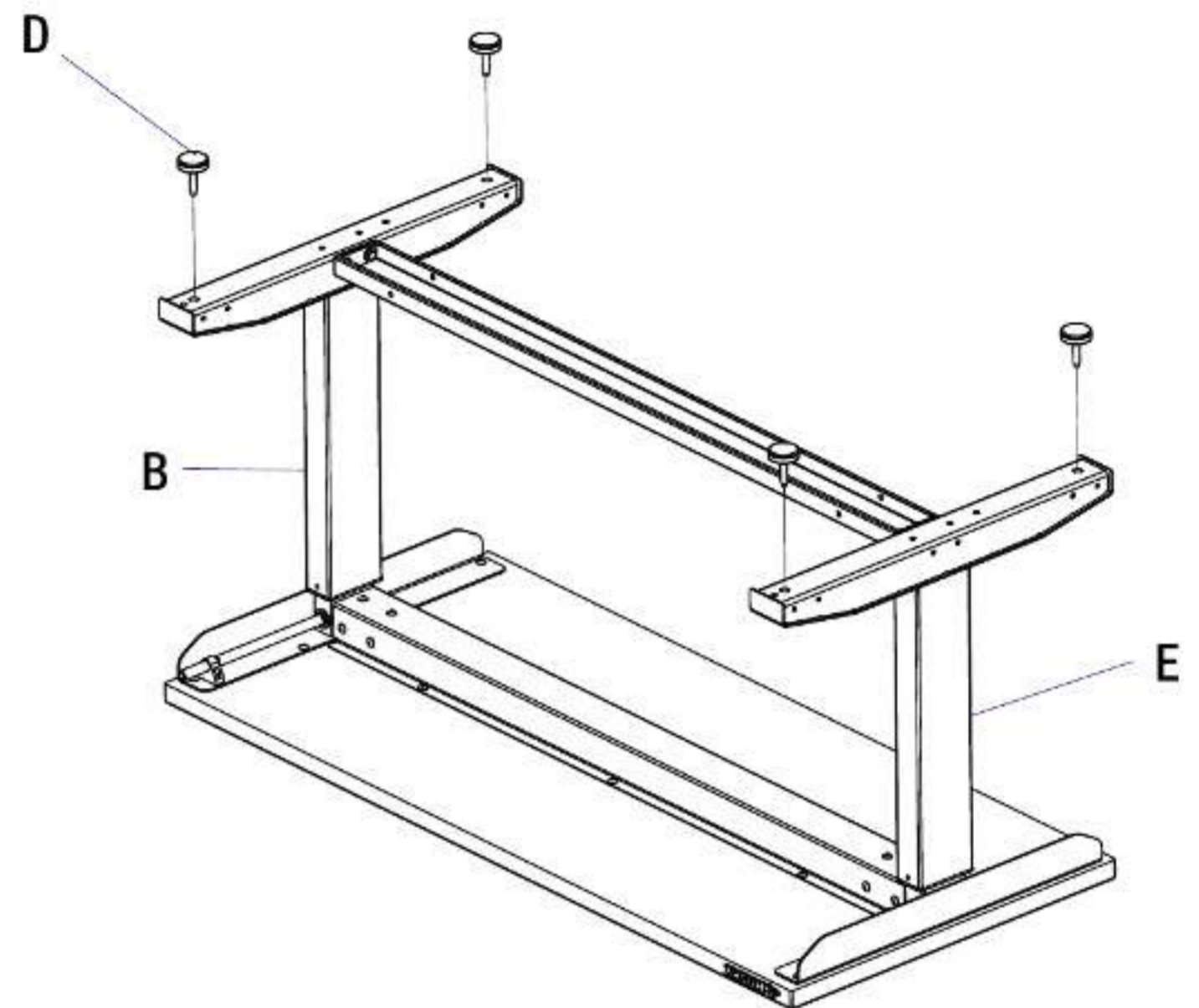
9. Screw the four leveling feet (D) or casters (I) all the way into the leg assemblies to the maximum depth. Some adjustment may be necessary after the workbench is in the desired location to properly level and use the product.

 **Note:** Leveling feet have been pre-assembled on the leg.

## Caster installation

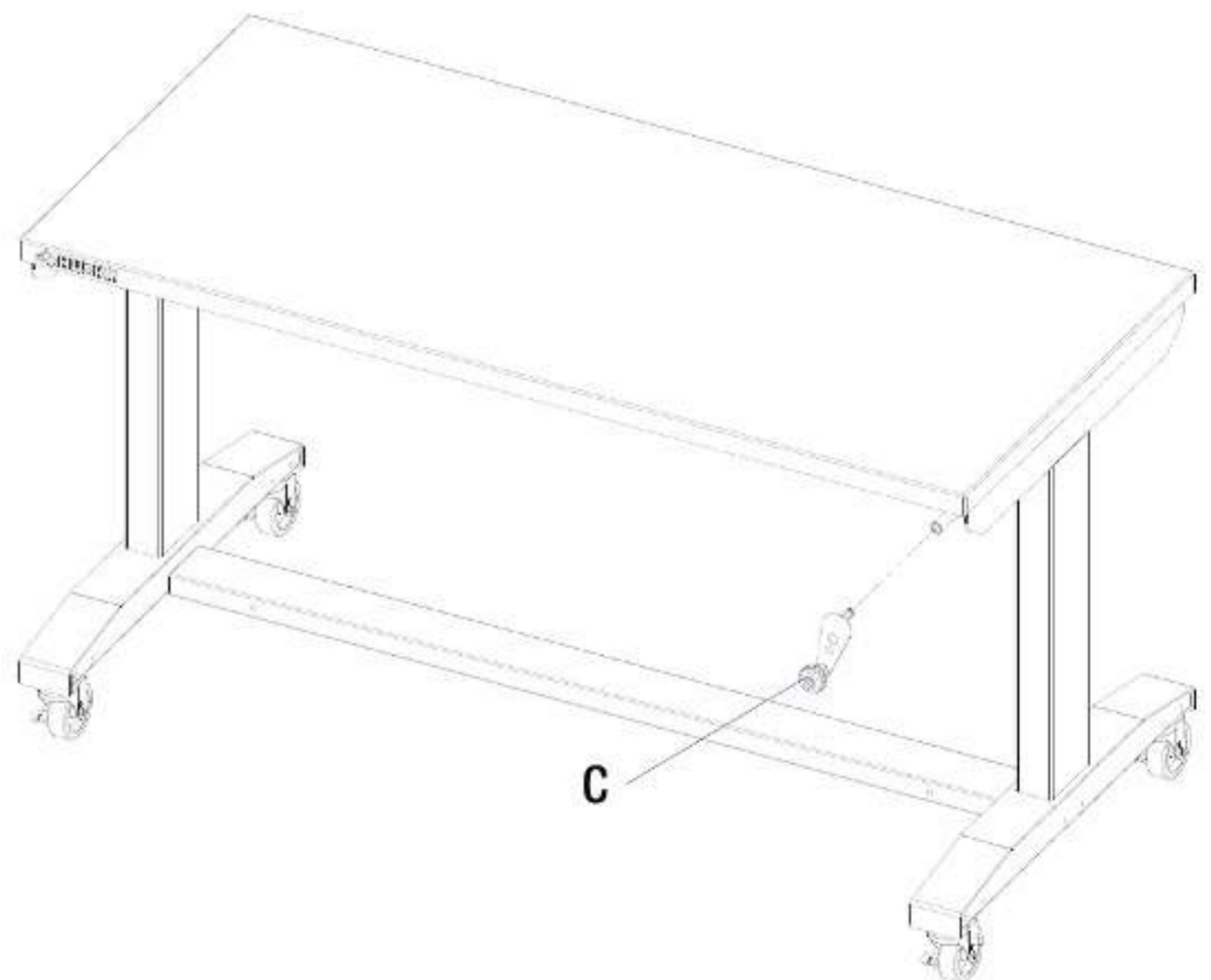


## Leveling feet installation Or



10. Using two or more people, stand the workbench in its upright position.

11. Install the crank handle (C) into the shaft in the corner below the wood top as shown.



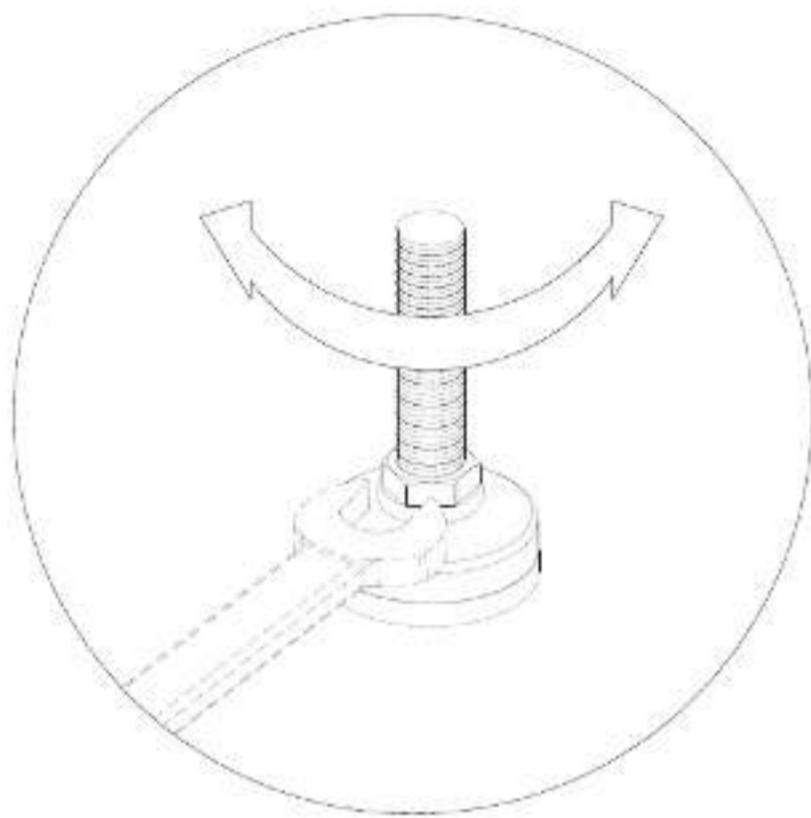
# Operation

## 1 Leveling Foot Adjustment



**IMPORTANT:** Ensure there is no weight on top of the workbench when leveling.

- Adjust each leveling foot (D) to the desired elevation with a 5/8 in. wrench as shown.
- Turn the lock nut counterclockwise to elevate and clockwise to lower the leveling foot.

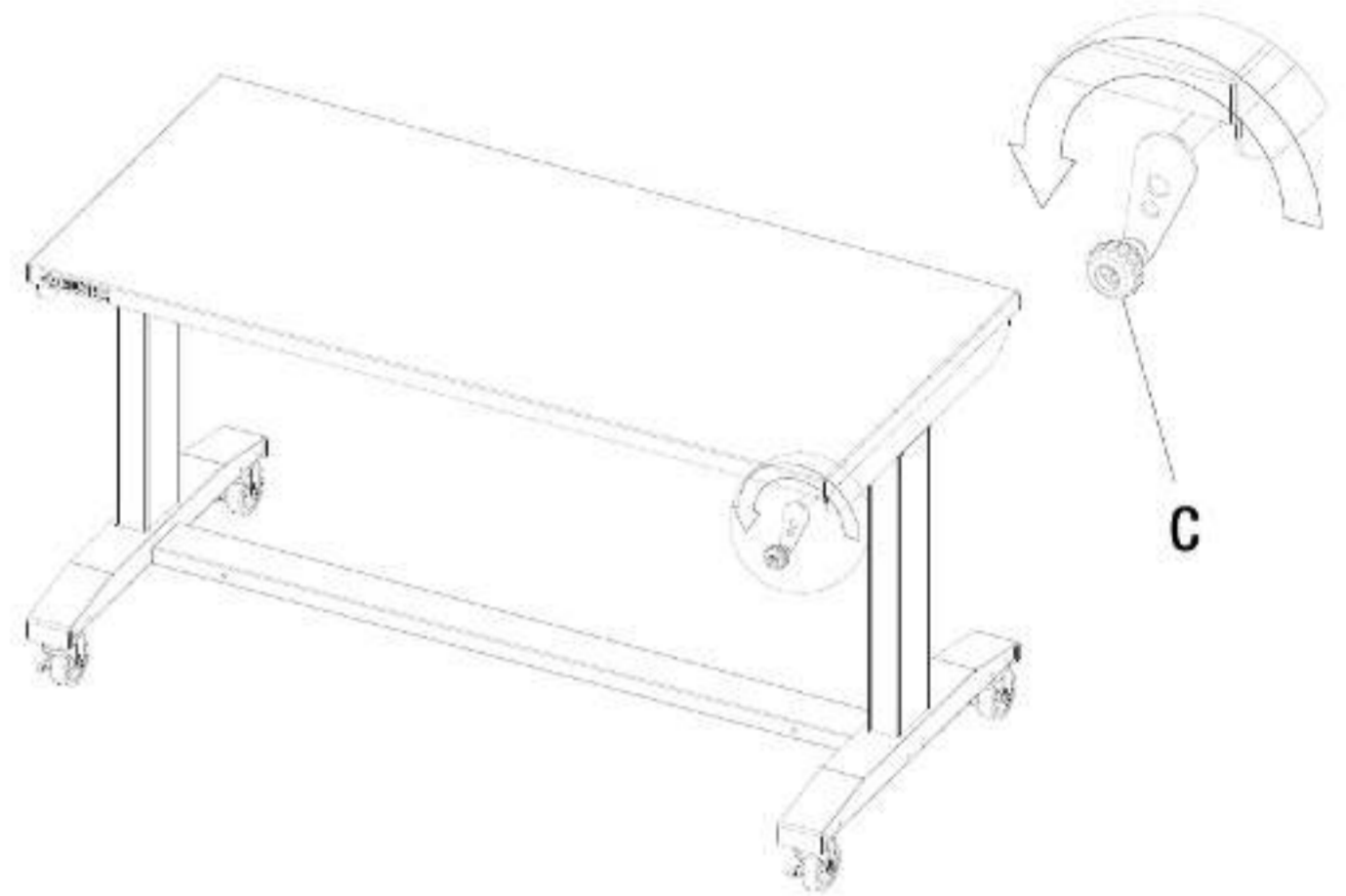


## 2 Height Adjustment

- Insert the crank handle (C) into the shaft and align it in the hole until it is engaged.
- To raise the table, turn the crank handle counterclockwise to the desired height.
- To lower the table, turn the crank handle clockwise until it reaches the desired height.
- To avoid damage, do not keep turning the crank handle once it has rested at its highest or lowest position.



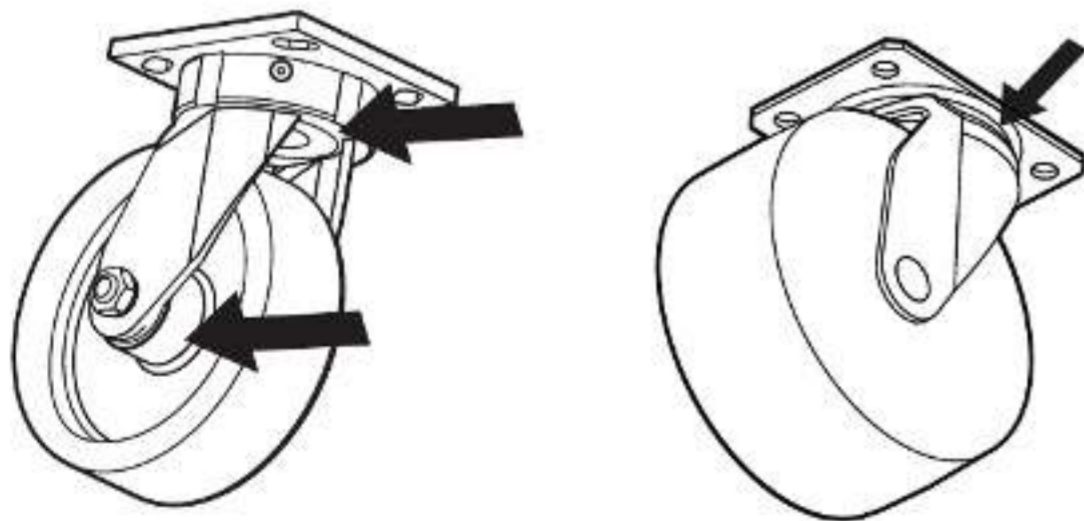
**Note:** Some minor squeaking is normal when operating the crank. Lubrication is not needed.



# Maintenance

## 1 Maintaining the casters

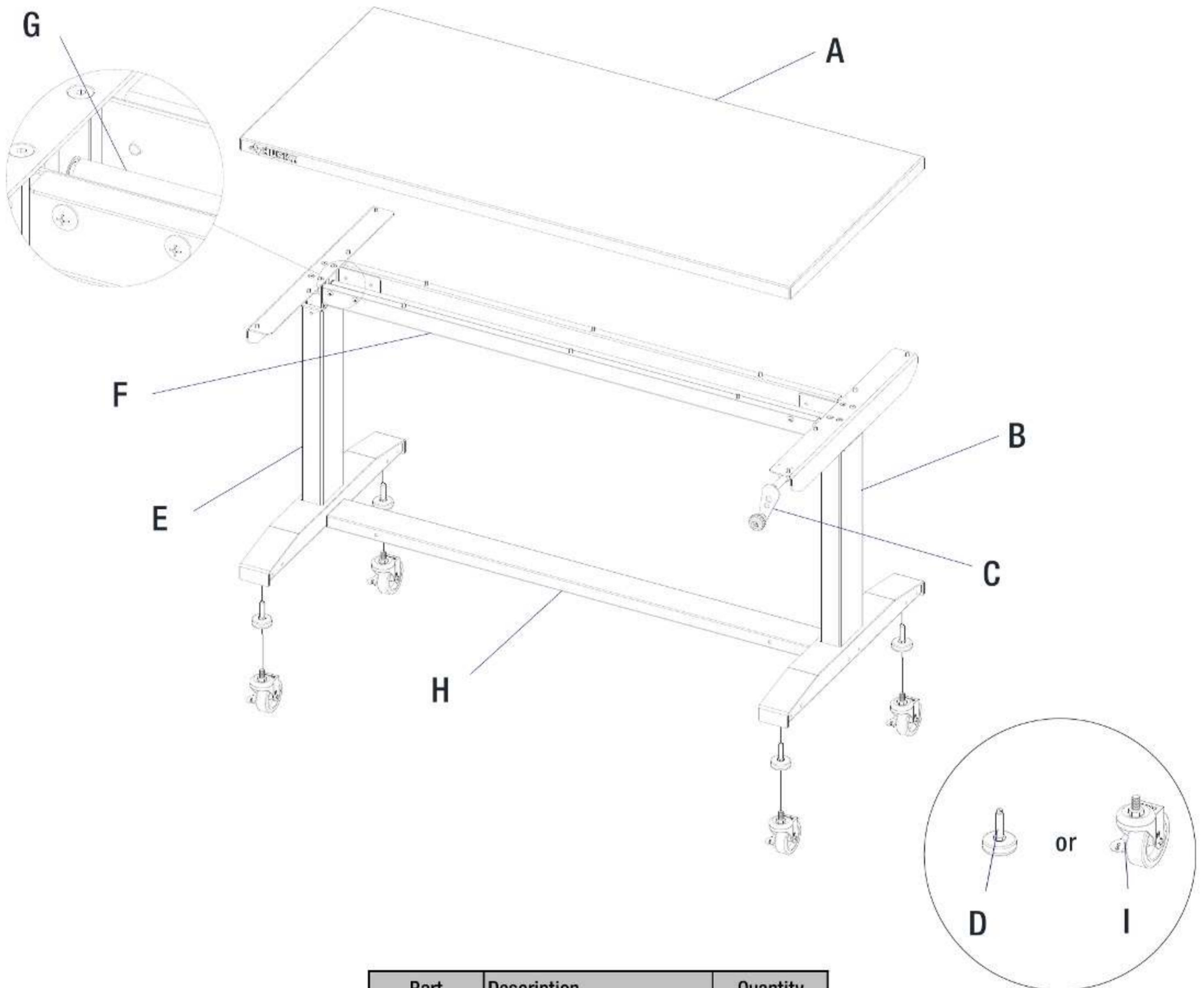
- Grease the casters annually using high quality bearing grease.



# Care and Cleaning

- The steel in this product has been coated with industrial powder coating for a durable finish. To help protect this finish, do not allow harsh chemicals such as oil or grease to remain on the powder coating surface. Use a glass cleaner (Windex® or equivalent product) to clean and maintain all powder coated surfaces.
- The wood top is made of Parawood (also called Rubberwood), which has a polyurethane coating to help protect it from moisture. It can be cleaned with most gentle household cleaners, such as Windex®.
- Do not allow chemicals, water, or other substances to remain on the wood top for extended periods of time to reduce the risk of damage to the wood.

# Service Parts



Part	Description	Quantity
A	Wood top	1
B	Leg (Right)	1
C	Crank handle	1
D	Leveling feet	4
E	Leg (Left)	1
F	Top rail	1
G	Rotating rod	1
H	Support rail	1
I	Caster	4



**SMLIFE.vn**

Solutions designed for modern life

Questions, problems, missing parts? Before returning to the Store, call  
SMLIFE CUSTOMER SERVICE  
8 a.m - 6 p.m, Monday - Saturday  
Hotline: (028) 66 500 501

**WWW.SMLIFE.VN**

Retain this manual for future use